

Sorensen XT Series

42–60 W

60 Watt Linear Performance DC Power Supply

7–250 V

- Low noise and ripple
- Excellent line/load regulation
- Fast transient response
- Constant voltage or constant current operation with automatic crossover and mode indication
- Current limit
- Front and rear outputs
- Remote sense 0.5 V per line
- LabVIEW® and LabWindows® drivers



0.25–6 A

~

115

230

GPIB RS232

The Sorensen XT Series provides 60 watts of programmable linear DC power in a quarter-rack package suited for both benchtop and system applications. XT Series power supplies are ideal for OEM applications where a wide adjustment of output voltage or current is required in a compact package. For systems applications, multiple single units can be rack mounted in configurations of up to four independent 60-watt outputs.

AMETEK
Programmable Power
 9250 Brown Deer Road
 San Diego, CA 92121-2267
 USA

AMETEK®
 PROGRAMMABLE POWER

XT Series : Product Specifications¹

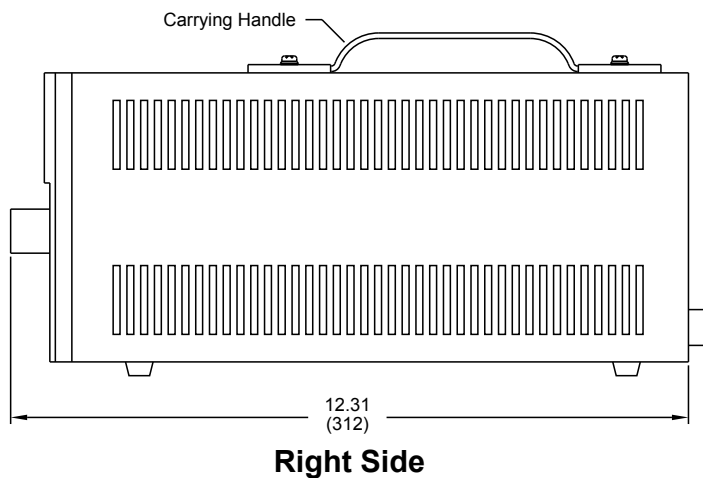
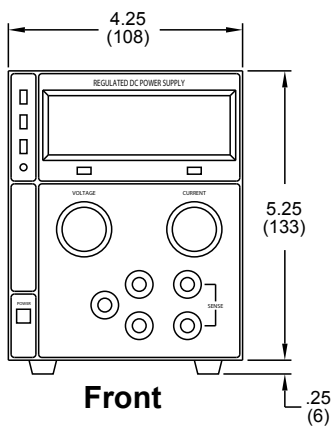
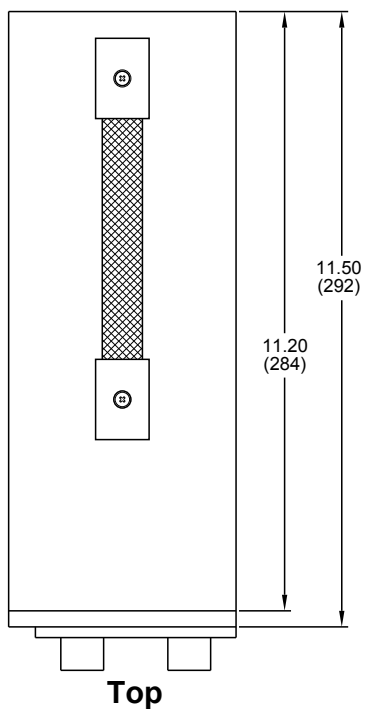
Output : Voltage and Current				
Models	Output Voltage	Output Current	Output Power	
XT 7-6	0-7 V	0-6 A	42 W	
XT 15-4	0-15 V	0-4 A	60 W	
XT 20-3	0-20 V	0-3 A	60 W	
XT 30-2	0-30 V	0-2 A	60 W	
XT 60-1	0-60 V	0-1 A	60 W	
XT 120-0.5	0-120 V	0-0.5 A	60 W	
XT 250-0.25	0-250 V	0-0.25 A	60 W	
Models	Line Regulation ² Voltage	Line Regulation ² Current	Load Regulation ³ Voltage	Load Regulation ³ Current
XT 7-6	2.7 mV	85 mA	2.7 mV	0.85 mA
XT 15-4	3.5 mV	65 mA	3.5 mV	0.65 mA
XT 20-3	4 mV	55 mA	4 mV	0.55 mA
XT 30-2	5 mV	45 mA	5 mV	0.45 mA
XT 60-1	8 mV	0.35 mA	8 mV	0.35 mA
XT 120-0.5	14 mV	0.3 mA	14 mV	0.3 mA
XT 250-0.25	27 mV	0.275 mA	27 mV	75 mA
Models	Output Noise & Ripple (20 Hz – 20 MHz) Voltage	Output Noise & Ripple (20 Hz – 20 MHz) Current	Meter Accuracy Voltage (1% of Vmax + 1 count)	Meter Accuracy Current (1% of Vmax + 1 count)
XT 7-6	< 1 mVrms	< 2 mArms	0.08 V	0.07 A
XT 15-4	< 1 mVrms	< 2 mArms	0.25 V	0.05 A
XT 20-3	< 1 mVrms	< 2 mArms	0.3 V	0.04 A
XT 30-2	< 1 mVrms	< 2 mArms	0.4 V	0.03 A
XT 60-1	< 1 mVrms	< 2 mArms	0.7 V	0.02 A
XT 120-0.5	< 1 mVrms	< 2 mArms	2.2 V	0.006 A
XT 250-0.25	< 5 mVrms	< 1 mArms	3.5 V	0.003 A
Models	Drift (8 hours) ⁴ Voltage (0.02% of Vmax)	Drift (8 hours) ⁴ Current (0.03% of Imax)	Temperature Coefficient ⁵ Voltage (0.015% of Vmax/°C)	Temperature Coefficient ⁵ Current (0.02% of Imax/°C)
XT 7-6	1.4 mV	1.8 mA	1.05 mV	1.2 mA
XT 15-4	3 mV	1.2 mA	2.25 mV	0.8 mA
XT 20-3	4 mV	0.9 mA	3 mV	0.6 mA
XT 30-2	6 mV	0.6 mA	4.5 mV	0.4 mA
XT 60-1	12 mV	0.3 mA	9 mV	0.2 mA
XT 120-0.5	24 mV	0.15 mA	18 mV	0.1 mA
XT 250-0.25	50 mV	0.075 mA	37.5 mV	0.05 mA

Specifications subject to change without notice.

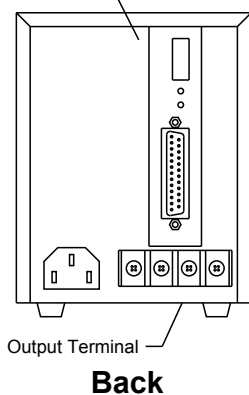
- Specifications indicate typical performance at 25° C ± 5°C, nominal line input of 115 Vac.
- For input voltage variation over the AC input voltage range, with constant rated load.
- For 0-100% load variation, with constant nominal line voltage.
- Maximum drift over 8 hours with constant line, load, and temperature, after 30-minute warm-up.
- Change in output per °C change in ambient temperature, with constant line and load.
- Apply accuracy specifications according to the following voltage program accuracy example: Set a model 15-4 power supply to 10 V.
The expected result will be within the range of 10 V ± 20 mV ± 0.1% of the set voltage of 10 V.

XT 60 W Internal Interface Specifications with RS232 or GPIB Interface Installed ^{1,6}			
Models	Program Accuracy Voltage (mV)	Program Accuracy Current (mA)	Program Accuracy OVP (mV)
XT 7-6	10 + 0.1%	110 + 0.15%	70
XT 15-4	20 + 0.1%	70 + 0.15%	150
XT 20-3	20 + 0.15%	50 + 0.15%	200
XT 30-2	30 + 0.15%	40 + 0.15%	300
XT 60-1	200 + 0.15%	26 + 0.2%	200
XT 120-0.5	400 + 0.15%	13 + 0.2%	1200
XT 250-0.25	800 + 0.15%	7 + 0.2%	2400
Models	Readback Accuracy Voltage (mV)	Readback Accuracy Current (mA)	
XT 7-6	10 + 0.15%	110 + 0.15%	
XT 15-4	10 + 0.1%	70 + 0.15%	
XT 20-3	10 + 0.1%	50 + 0.15%	
XT 30-2	15 + 0.1%	40 + 0.15%	
XT 60-1	35 + 0.15%	26 + 0.2%	
XT 120-0.5	70 + 0.15%	13 + 0.2%	
XT 250-0.25	140 + 0.15%	7 + 0.2%	
Input			
Operational AC Input Voltage	Standard: 115 Vac ±10%. 57-63 Hz; Optional: 110/220/230/240 Vac ±10%, 47-63 Hz		
AC Input Current	Single Unit: 1.2 A		
General			
Voltage Mode Transient Response Time	< 100 µs recovery to 0.05% band, ±50% load change in the range of 25% to 100% of the rated load		
Front Panel Voltage and Current Control	10-turn voltage and 1-turn current potentiometers (10-turn current optional)		
Front Panel Voltage Control Resolution	0.02% of maximum voltage		
AC Input Connector Type	IEC 320 connector		
Approvals	CSA certified to CSA C22.2 No. 107.1. Meets USA EMC standard FCC Part 15B Class A; meets Canadian EMC standard: ICES-001, Class A (Models up to and including 120 V)		
Analog Programming (with optional APG interface installed)			
Remote On/Off and Interlock	2 to 25 Vdc high. < 0.8 Vdc low. User-selectable.		
Remote Analog Programming Option	0-10 Vdc for 0-100% or rated voltage or current ±0.1%, 0-10 kΩ for 0-100% of rated voltage or current ±0.1%		
Remote Monitoring	0-10 Vdc for 0-100% of rated voltage or current ±0.1%		
Over Voltage Protection Trip Range	3 V to full output +10%		
Tracking Accuracy	±1% for series operation		
Environmental			
Operating Temperature	0 to 30°C for full rated output. Above 30°C, derate output linearly to zero at 70°C		
Storage Temperature	- 55 to 85°C		
Humidity Range	Up to 80% RH, non-condensing		
Physical			
Dimensions	Width: 4.2" (109.2 mm) Height: 5.2" (134.7 mm) Depth: 11.7" (297 mm)		
Weight	Approximately 7.7 lb (3.5 kg)		

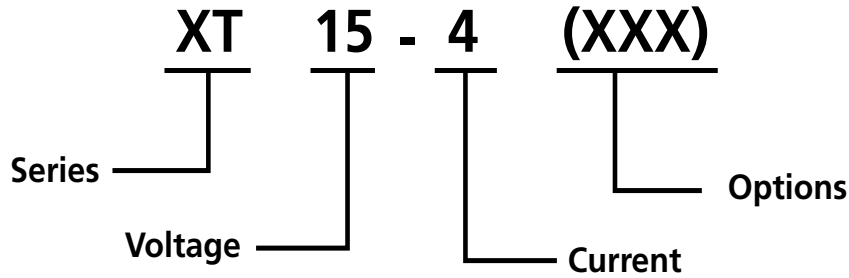
XT Series : Technical Diagram



Optional J-305 Analog
or IEEE-488 STD Port



Model Number Description



Options and Accessories

MGA	GPIB Interface card
MGP	Multichannel GPIB interface card
MCA	CANbus interface for hardware linking multiple units (used with GPIB-M)
MRA	RS-232 Interface card
MAA	Analog programming interface card
RM-XPDG-2	19-inch Rack Mount Kit for up to four XT, XPD, XEL or HPD power supplies
M11	10-turn current potentiometer
M13A	Locking knobs for front panel controls
M43	Switch Selectable Input 110 Vac or 220 Vac

AC Input Options

M1	110 Vac Input (50/60Hz)
M2	220 Vac Input (50/60 Hz)
M3	230 Vac Input (50/60Hz)
M4	240 Vac Input (50/60Hz)

© 2009 AMETEK Programmable Power All rights reserved. AMETEK Programmable Power is the trademark of AMETEK Inc., registered in the U.S. and other countries. Elgar, Sorensen, California Instruments, and Power Ten are trademarks of AMETEK Inc., registered in the U.S.

